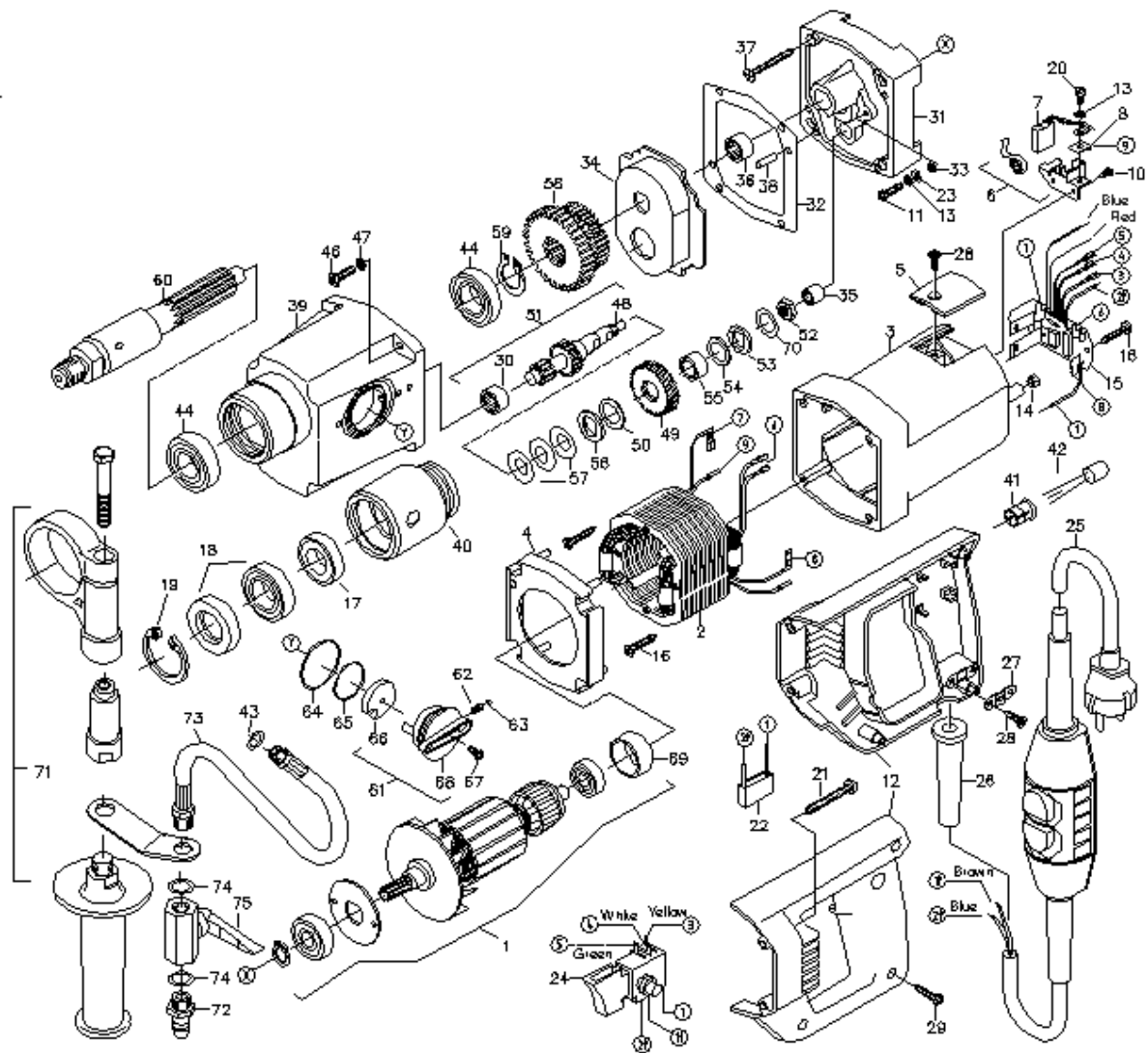


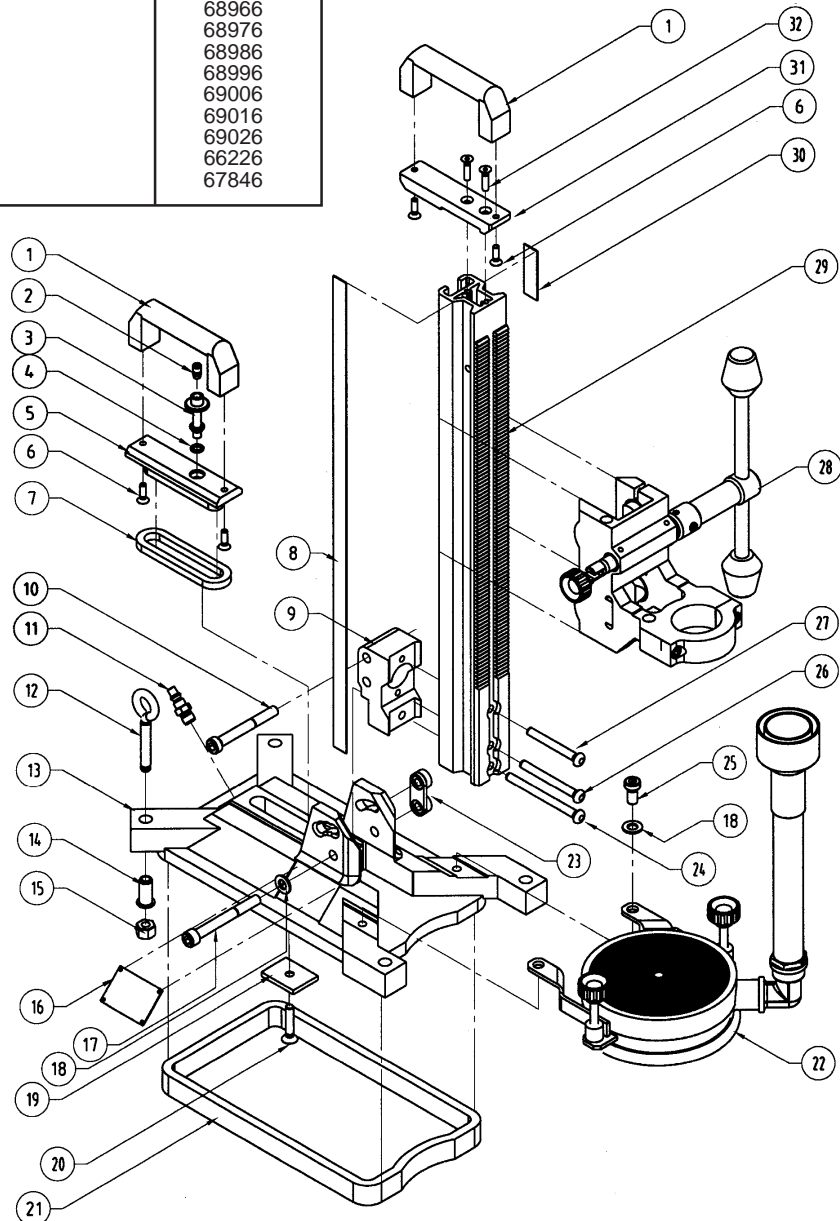
RIDGID[®] HC-2W



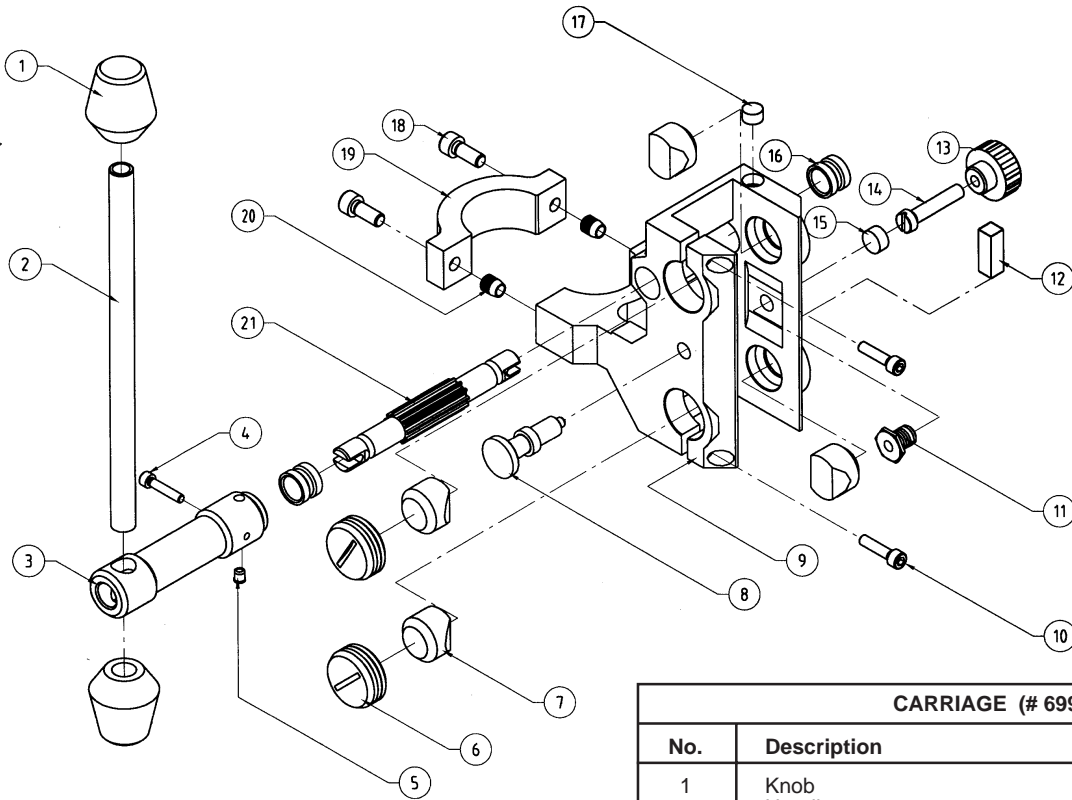
| No. | Description | Cat. No. | No. | Description | Cat. No. | No. | Description | Cat. No. |
|-----|-------------------------|----------|-----|----------------------|----------|-----|-----------------------|----------|
| 1 | ARMATURE ASSY | 70526 | 28 | SCREW 4,2X13 | 56116 | 55 | BUSHING | 55926 |
| 2 | FIELD ASSY | 55396 | 29 | SCREW 4,2X22 | 56126 | 56 | DRIVE PLATE | 65216 |
| 3 | MOTORHOUSING ASSY | 55966 | 30 | BUSHING 1012 | 70606 | 57 | BELLEVILLE WASHER 28 | 65226 |
| 4 | FANHOUSING | 55386 | 31 | COVER FOR GEARCASE | 55506 | 58 | IDLER GEAR | 71776 |
| 5 | BRUSHCAP | 55976 | 32 | PACKING F. GEARCASE | 55516 | 59 | CIRCLIP 19/1 | 55596 |
| 6 | BRUSHHOLDER ASSY | 65396 | 33 | O-RING 3,68X1,78 | 56096 | 60 | OUTPUTSPINDLE | 70696 |
| 7 | SET OF CARBON BRUSHES | 64786 | 34 | PARTITION FOR GREASE | 70476 | 61 | SHIFT KNOB ASSY | 55476 |
| 8 | AMP CONNECTOR PLATE | 64796 | 35 | BUSHING 0810 | 65006 | 62 | COMPRESSION SPRING | 56006 |
| 10 | SCREW 2,9X13 | 56186 | 36 | BUSHING 1210 | 56226 | 63 | BALL | 55676 |
| 11 | SCREW M4X16 | 56286 | 37 | SCREW 4,5X50 | 55696 | 64 | O-RING 36X1,5 | 55686 |
| 12 | HANDLE SET | 70536 | 38 | DOWEL PIN 5X16 | 65606 | 65 | O-RING 28X1 | 55646 |
| 13 | LOCKWASHER 4,3 | 64836 | 39 | GEARCASE | 70626 | 66 | MOUNTING PLATE | 70486 |
| 14 | PLASTIC NUT M5 | 55936 | 40 | WATER COLLECTOR | 70636 | 67 | SCREW M3X12 | 70496 |
| 15 | CONNECTOR PLATE ASSY | 70556 | 41 | DIODE HOLDER | 70646 | 68 | SHIFTER KNOB | 70506 |
| 16 | SCREW 4,2X25 | 56136 | 42 | DIODE | 70656 | 69 | BEARING SLEEVE | 65346 |
| 17 | SEAL 30X40X5 | 70566 | 43 | SEAL 1/8 | 65086 | 70 | BELLEVILLE WASHER 25 | 70516 |
| 18 | SEAL 30X42X7 | 70576 | 44 | BALL BEARING 6904 | 55806 | 71 | AUXILIARY HANDLE ASSY | 55526 |
| 19 | CIRCLIPS 42/1,75 | 70586 | 46 | SCREW M5X20 | 56296 | 72 | CONNECTOR GARDENA | 70716 |
| 20 | SCREW M4X6 | 56266 | 47 | LOCKWASHER 5 | 55716 | 73 | HOSE ASSY | 65286 |
| 21 | SCREW 4,8X45 | 64876 | 48 | INTERMEDIATE GEAR | 71786 | 74 | SEAL 1/4 | 65326 |
| 22 | SUPPRESSOR | 55416 | 49 | CLUTCH-GEAR | 70676 | 75 | VALVE | 65316 |
| 23 | WASHER 4,3 | 56016 | 50 | BRASS WASHER | 65206 | | | |
| 24 | SWITCH | 55736 | 51 | CLUTCH ASSY | 70686 | | | |
| 25 | LINE CORD W. GFI SWITCH | 70596 | 52 | HEX NUT M10X1 | 65196 | | | |
| 26 | CABLE SLEEVE | 55946 | 53 | DRIVE PLATE | 65186 | | | |
| 27 | CABLE CLAMP | 55906 | 54 | BRASS WASHER | 65176 | | | |

RIDGID[®] HC-2 STAND

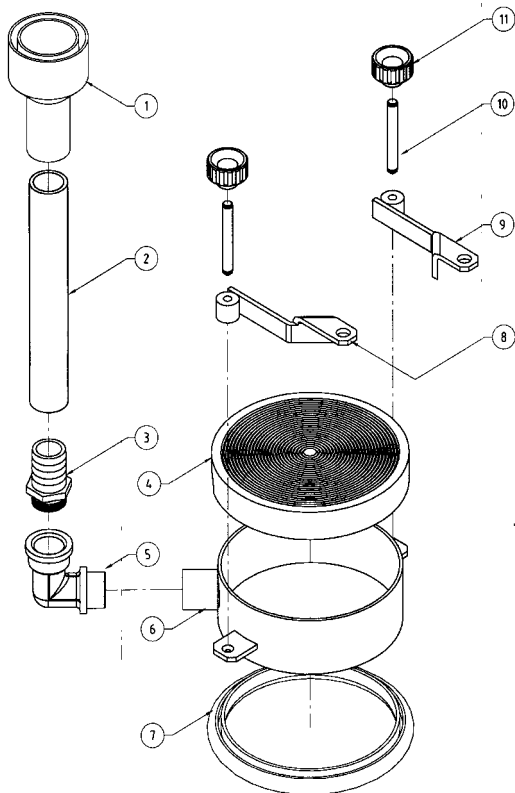
| HC-2 STAND (Cat # 59016) | | |
|--------------------------|----------------------|----------|
| No. | Description | Cat. No. |
| 1 | Grip | 66236 |
| 2 | Spring | 66386 |
| 3 | Vacuum release valve | 66196 |
| 4 | O-ring | 66656 |
| 5 | Vacuum block | 66206 |
| 6 | Screw | 68006 |
| 7 | Rubber | 66616 |
| 8 | Sticker | 66486 |
| 9 | Block | 68886 |
| 10 | Cyl.Bolt | 68896 |
| 11 | Orientulle | 66736 |
| 12 | Eye Bolt | 66106 |
| 13 | Base | 68916 |
| 14 | Adjustment bushing | 66186 |
| 15 | Nut | 67896 |
| 16 | Type plate | 68926 |
| 17 | Cyl.Bolt | 68936 |
| 18 | Washer | 67936 |
| 19 | Securing plate | 66626 |
| 20 | Srew | 67976 |
| 21 | Rubber vacuum base | 68956 |
| 23 | Security plate | 68966 |
| 24 | Screw | 68976 |
| 25 | Cyl.Bolt | 68986 |
| 26 | Screw | 68996 |
| 27 | Screw | 69006 |
| 28 | Carriage Complete | 69016 |
| 29 | Column | 69026 |
| 31 | Grip Support | 66226 |
| 32 | Screw | 67846 |



RIDGE TOOL COMPANY



| CARRIAGE (# 69926) | | |
|--------------------|------------------|----------|
| No. | Description | Cat. No. |
| 1 | Knob | 66716 |
| 2 | Handle | 66566 |
| 3 | Spindle cover | 66576 |
| 4 | Cyl.Bolt | 67886 |
| 5 | Lock | 66856 |
| 6 | Adjustment screw | 66536 |
| 7 | Sliding block | 66526 |
| 8 | Lock wing screw | 66846 |
| 9 | Carriage | 69056 |
| 10 | Cyl.bolt | 66876 |
| 11 | Bolt holder | 66586 |
| 12 | Spirit level | 66676 |
| 13 | Star knob | 66706 |
| 14 | Cyl.screw | 67916 |
| 15 | Cover | 66726 |
| 16 | Spindle bearing | 66556 |
| 17 | Spirit level | 66696 |
| 18 | Cyl.bolt | 66806 |
| 19 | Block | 69066 |
| 20 | Helicoil | 67856 |
| 21 | Spindle | 66266 |



| WATER COLLECTOR | | |
|-----------------|-----------------------------|----------|
| No. | Description | Cat. No. |
| 1 | Hose tulle | 66086 |
| 2 | Hose | 66646 |
| 3 | Hose connection | 66746 |
| 4 | Water collector cover | 68456 |
| 5 | Angle piece | 66756 |
| 6 | Water collector ring | 69076 |
| 7 | Rubber | 69086 |
| 8 | Water collector clamp left | 69096 |
| 9 | Water collector clamp right | 69106 |
| 10 | Thread | 66596 |
| 11 | Knob | 66706 |



| Clutch assemblies for HC2 | Catno | Clutch Torque |
|--|-------|---------------|
| HC2 Serial number > 000200 02/00 | 71836 | 12.5 - 16 Nm |
| HC2 Old version serial number < 000200 02/00 | 57516 | 12.5 - 16 Nm |
| HC2D | 57516 | 12.5 - 16 Nm |
| HC2W | 70686 | 12.5 - 16 Nm |
| Grease 1 kg HC-2 | 72666 | |

890-029-793.60 # 71836

HC-2
7RT30493



Serial n° > 000200 02/00

890-019-816.60 # 57516

HC-2 D
73320493



Serial n° < 000200 02/00

890-029-426.60 # 70686

HC-2 W
73421493



890-029-131.60

65756

RB 206/3
73430493

