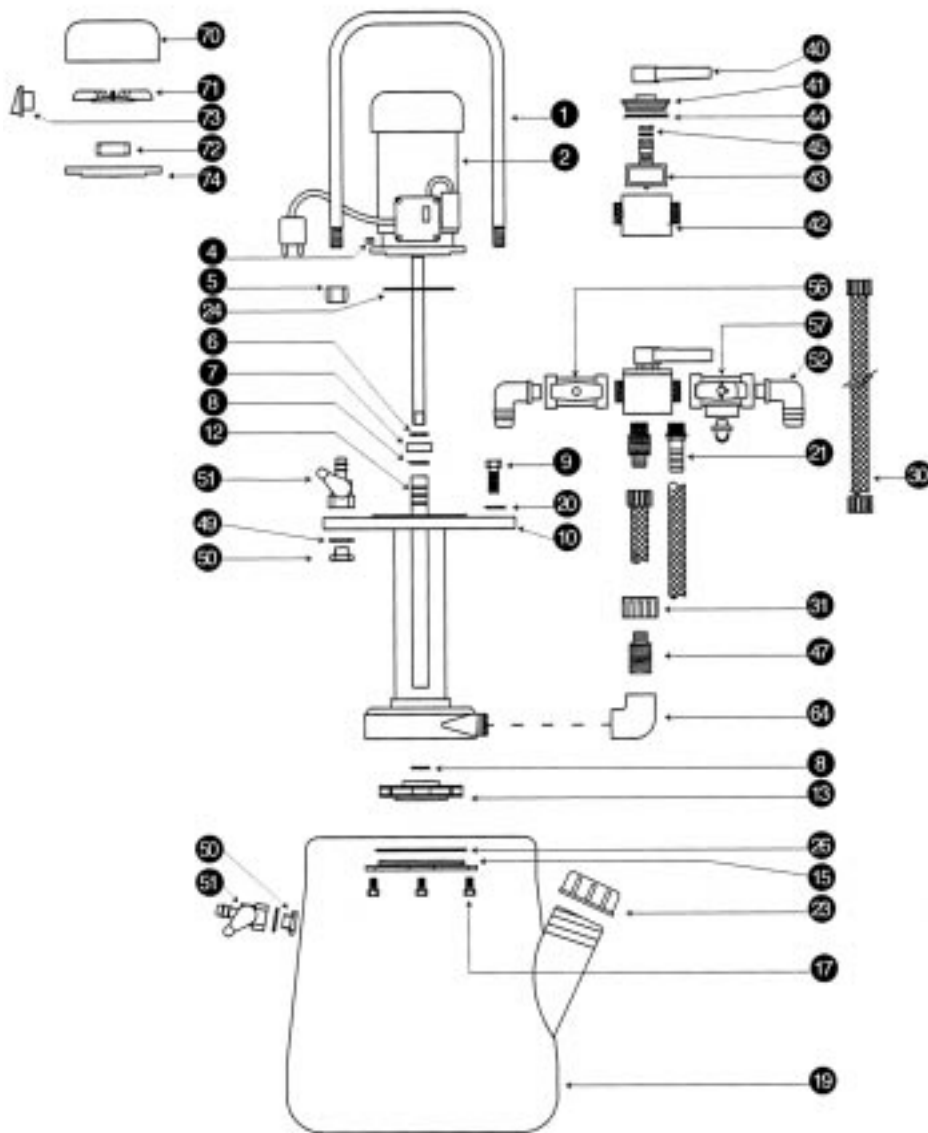


No.	Description	Cat. No.	No.	Description	Cat. No.
2	Singlephase motor 220V, 0.15Hp	57546	36	Motor flange washer	74356
4	Brass nut, 6mm	57556	37	Belt holder	61776
6	O-ring seal D12	57566	39	Complete belt	57616
7	Arnite washer	57576	40	Reverser valve handle	74416
8	O-ring impellor	74346	41	Valse reverser cover	74426
9	Bolt 12mm in PPI	57586	42	Body reverser valve	74436
10	Flange + pump body in PP	57596	43	Fly valve reverser	74446
12	Shaft sleeve in PP	57606	44	O-ring for reverser cover	74456
13	Impellor in PP	57626	45	O-ring x butterfly inverter	74466
15	Rotor cover in PP	57636	46	Hose fitting 1/2 x 3/4 x 16	57736
17	Bolt 8mm in PPI	57646	47	Flow reverser	57696
19	DP-13 red tank	57656	64	90° Elbow fitting 1/2"	57746
21	Hose fitting 1/2" x 16mm in PVC	57706	72	Roller bearing	74476
23	Tank cap	57756	73	Switch	74486
24	O-ring x motor flange	74366	74	Black flange 0.15 Hp + p oil	72006
26	O-ring 10-15	74376	76	Capacitor 6.3mF(0.17 IC)	74496
28	Output in PVC	57716	77	Terminal cov. Box / Capac. Holder	74506
29	Returnhose in PVC	57726	78	3 Poles cable + schuko plug	74966
30	Transparent hose in PVC	57686	90	Thread kit of adapters	57666
31	Shaft gripping ring nut 3/4"	74386	91	Hose fitting 1/2"	57676
34	Washer epdm d.91x77,5x4	74396	92	Motor fan + cover	61756
35	Tank washer	74406		Set of seals	61766

RIDGID® DP-24



Ref. No.	Description	Cat.No.	Ref. No.	Description	Cat.No.
1	METAL HANDLE	81386	42	BODY REVERSER VALVE	74436
4	BRASS NUT, 6 mm	57556	42	FLY-VALVE REVERSER	74446
5	BLIND RING NUT PVC 16 MA	81396	44	O-RING FOR REVERSER COVER	74456
6	O-RING SEAL	81406	45	O-RING X BUTTERFLY INVERTER	74466
7	ARNITE WASHER X BOY C 20-30	81416	46	HOSE FITTING 1/2" X 3/4" X 16	57736
8	O-RING X IMPELLOR	81426	47	HOSE FITTING 3/4" x 16 mm IN PVC	81536
9	BOLT 12 mm IN PPI	57586	49	GLAND EPDM 1-1/4"	81546
10	FLANGE + PUMP BODY	81436	50	COVER 3/4" PP	81556
12	SHAFT SLEEVE IN PP	81446	51	BALL VALVE + HOSE FITTING 3/4"	81566
13	IMPELLOR IN PP	81456	52	RING NUT HOLDER 1/2" x 16	81576
15	ROTOR COVER IN PP	81466	56	BALL VALVE VKFM 1/2"	81586
17	BOLT 10 mm IN PP	81476	57	THREE-WAY VALVE VTFM 1/2"	81596
19	RED TANK X 20-30	81486	64	90 X ELBOW FITTING 3/4", IN PP	81606
20	O-RING 2050 X SCREWW M12 FLANGE	81496	65	COLLAR 12-22	81616
21	HOSE FITTING 1/2" x 16 mm IN PVC	57706	70	IMPELLER COVER X MOTOR 0,33 ICME	81626
23	TANK CAP	81506	71	IMPELLER X MOTOR 0,33 Hp ICME	81636
24	O-RING X MOTOR FLANGE	74366	72	ROLLER BEARING	81646
26	O-RING ROTOR COVER	81516	73	SWITCH	74486
30	TRANSPARENT HOSE, 2 mt IN PVC	57686	74	FLANGE 0,33 Hp + OIL BUFFER /ICME	81656
31	SHAFT GRIPPING RING-NUT 3/4"	74386		PIPE WRENCH RING NUD 1/2"	81666
40	REVERSER VALVE HANDLE	81526		MOTOR 0,45 Hp 230/50 BLACK (IC)	81676
41	VALVE REVERSER COVER	74426		REDUCTION KIT	81686