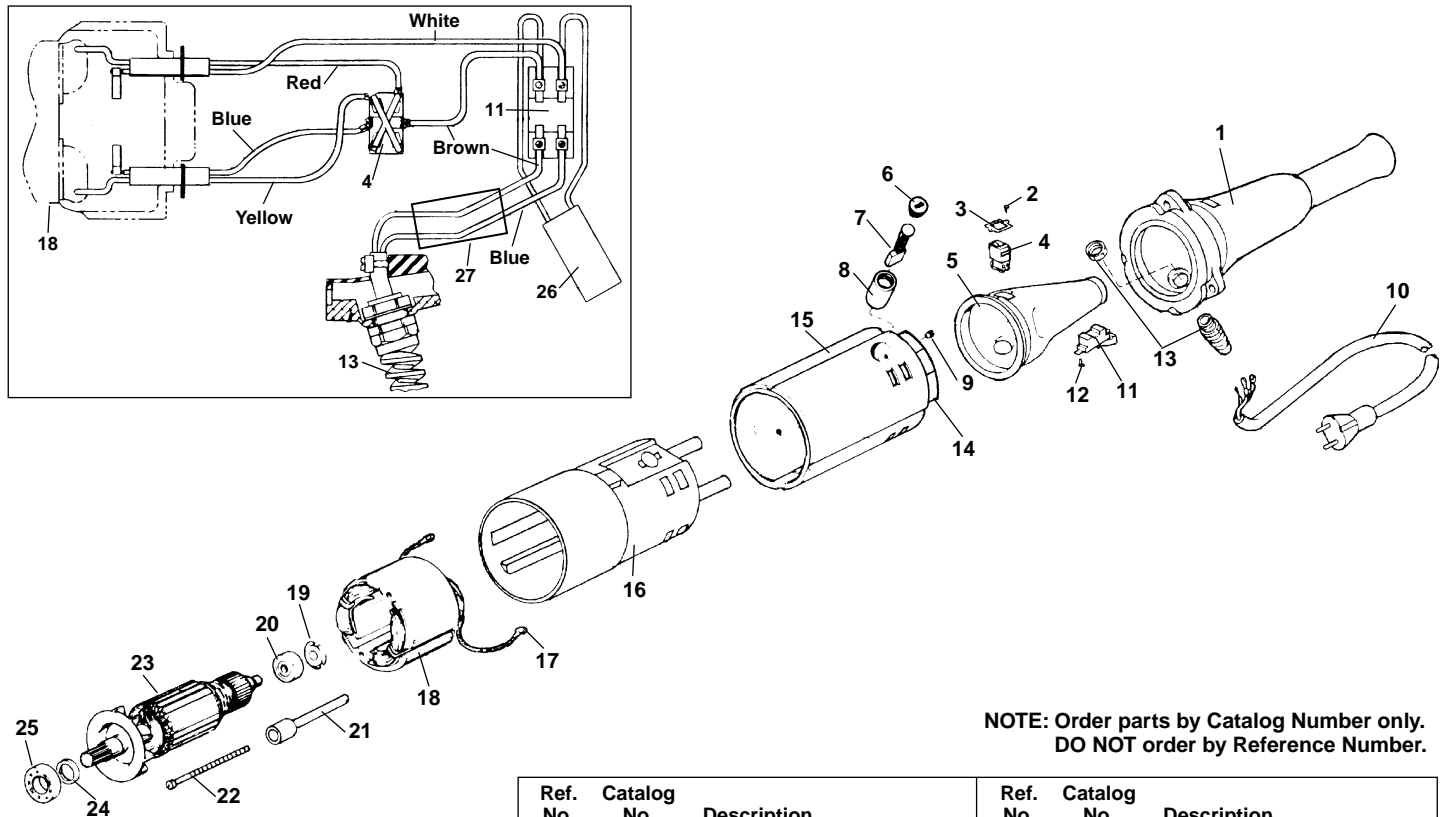


**NOTE: Order parts by Catalog Number only.  
DO NOT order by Reference Number.**

Ref. No.	Catalog No.	Description	Ref. No.	Catalog No.	Description
1	44785	E-1893 Tie Bolt (4)	28	44760	E-1880 Bearing
2	40770	E-1719 Lock Washer (4)	29	44790	E-1894 Load Spring
3	85920	E-10006 Pop Rivet (2)	30	44070	D-755 Field (115V) (Incl. Ref. No. 31)
4		Name Plate (115V) Name Plate (230V)	31	28922	D-2364 Field (230V) (Incl. Ref. No. 31)
5	46615	E-833 Torque Arm	32	83895	E-1068 Ring Tongue Terminal (2)
6	42970	B-190-X Gear Case Assembly (Includes Ref. 7, 13, 14, 52)	33	42975	B-191-X Motor Housing Assembly
7	44060	D-751 Bearing	34	44765	E-1882 Lock Screw
8	43395	C-375-X Face Gear Assembly	35	39770	E-3145 Set Screw (2)
9	32475	E-6085 Spring Pin (2)	36	44795	E-1895 Brush Holder (2)
10	44915	E-1967 Spring (2)	37	45660	E-4404 Brush Cap (2)
11	44910	E-1966 Adapter Pawl (2)	38	44815	E-1900-X Brush Assembly (2)
12	43345	C-306 Cover	39	45420	E-3467 Ground Screw
13	46775	E-897 Screw (8)	40	44905	E-1964 Switch
14	83890	E-2870 Lock Nut (8)	41	46310	E-5367 Screw (5)
15	44900	E-1960-X 4th Gear Assembly	42	44890	E-1957 Jumper (2)
16	45315	E-3215 Bearing	43	75700	E-1953 Lock Ring
17	45060	E-2630 Bearing (7)	44	75695	E-1961 Lock Washer (Internal Tooth)
18	44830	E-1903-X 3rd Gear Assembly	45	46590	E-799 Lock Nut
19	44820	E-1901-X 1st Gear Assembly	46	44880	E-1954 Brush Lead (Blue)
20	44825	E-1902-X 2nd Gear Assembly	47	43390	C-370 Switch Insulator
21	43335	C-305-X Fan Housing Assembly	48	44885	E-1956 Brush Lead (White)
22	45165	E-2893 Dowel Pin	49	44635	E-1517 Wire Nut
23	44555	E-1495 Field Mtg. Screw (2)	50	46730	E-889 Cord Retainer
24	97260	E-10649 Switch Button	51	89155	D-1298 Service Cord (115V)
25	44055	D-750-X Armature & Fan Assy. (115V)	52	44045	D-747 Service Cord (230V)
26	44075	D-758-X Armature & Fan Assy. (230V)	53	97255	Handle
27	44565	E-1497 Bearing	54	46860	E-912 Grease Fitting
	44430	E-1340 Retaining Ring	55	41270	"X" Washer
				44755	Insulator Tube
				41620	Grease

**No. 700 Power Drive-w/Dual Switch (Europe only)**

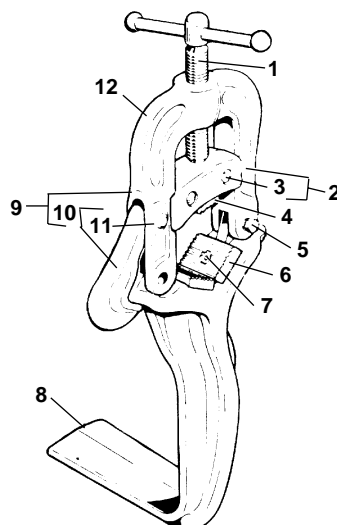


**NOTE: Order parts by Catalog Number only. DO NOT order by Reference Number.**

**Service Note:**  
For service parts used in early style machines, refer to the model 700 with a single control switch.

Ref. No.	Catalog No.	Description	Ref. No.	Catalog No.	Description
1	32116	Handle	15	18676	Motor Housing
2	32176	Screw	16	18506	Sleeve f/Field
3	32166	Clip	17	12456	Terminal (2)
4	32126	Reversing Switch	18	18606	Field
5	32106	Switch Liner		32306	Field 48 Volts
6	30906	Brush Cap	19	44790	Load Spring
7	44815	Brush Assembly	20	44760	Bearing
8	30916	Brush Holder	21	18566	Sleeve f/Screw
9	39770	Set Screw (2)	22	18486	Field Mounting Screw (2)
10	18666	Line Cord (Eur. Di.)	23	18596	Armature and Fan Assembly (Eur. Di.)
	32236	Line Cord 48 Volt		32316	Armature and Fan Assembly
11	32136	ON/OFF Switch	24	44430	Retaining Ring
12	32156	Screw	25	44565	Bearing
13	66537	Strain Relief (48 Volt)	26	18406	Suppressor
	32246	Strain Relief w/Cable Sleeve	27	63377	Ferrite Bead
14	32096	Insulating Cap			

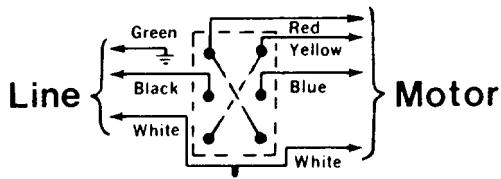
**No. 775 Support Arm**



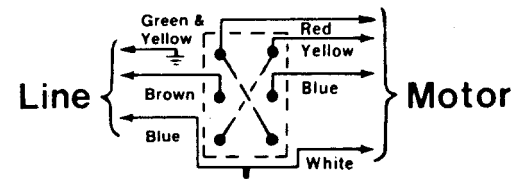
Ref. No.	Catalog No.	Description
1	40355	Feed Screw
2	40360	Jaw Clamp (Incl. Ref. No. 3)
3	40345	Screw and Washer (2)
4	40335	Upper Jaw
5	40325	Hinge Bolt, Washer and Nut
6	32100	Lower Jaws (1 set) (2 per set)
7	32205	Lower Jaw Screw (2)
8	42945	Base
9	40310	Yoke and Hook Assembly (Incl. Ref. No. 10)
10	40320	Hook (Incl. Ref. No. 11)
11	40340	Hinge Pin
12	40315	Yoke Assembly Complete (Incl. Ref. Nos. 1, 2, 4, 5 & 9)

**Wiring Diagram (115/230V)**

Standard Color Code



European Color Code



**Wiring Schematic (230V) - with Line Filter**

