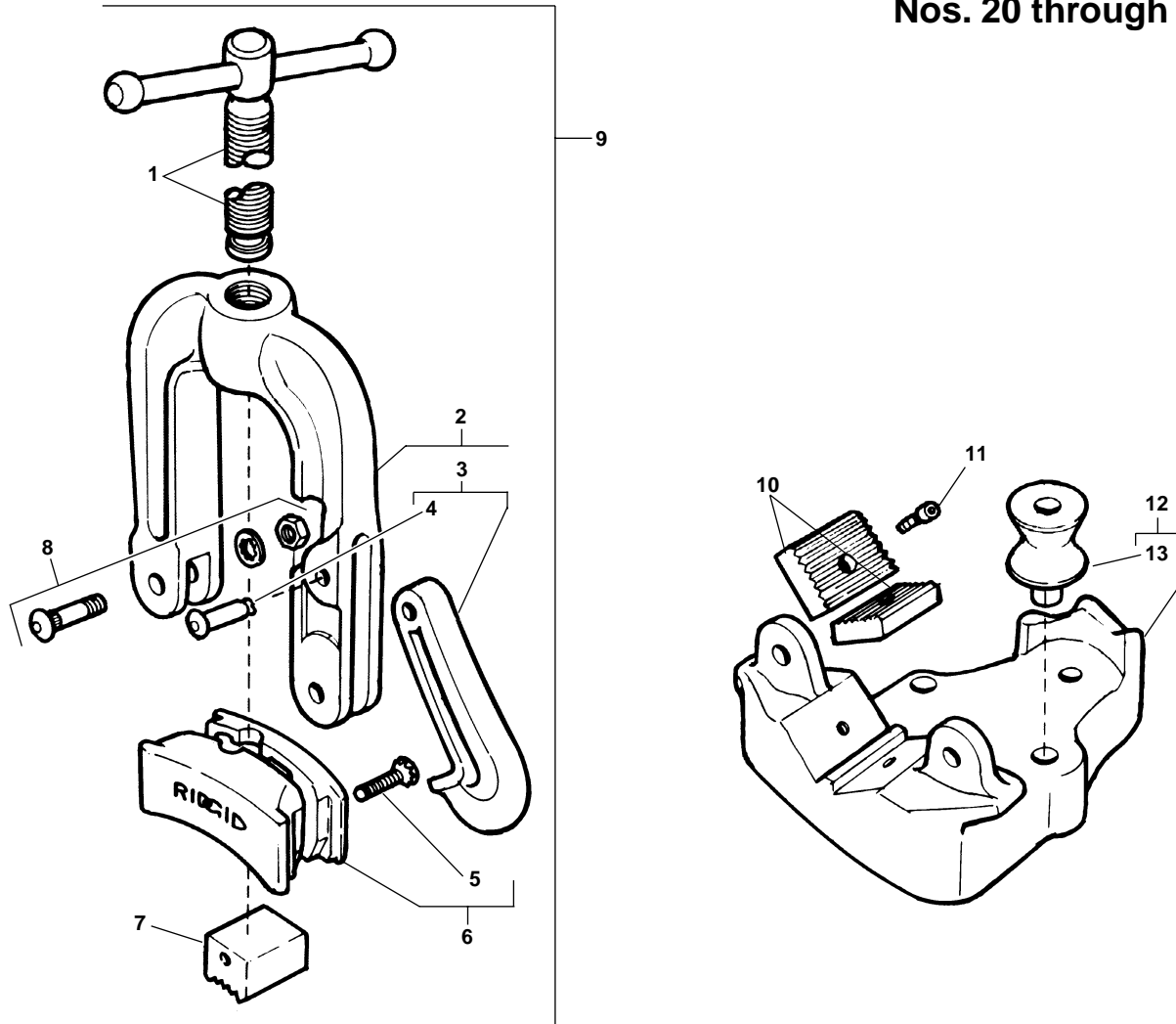


Nos. 20 through 23, 25, 27



**NOTE: Order parts by Catalog Number only.
DO NOT order by Reference Number.**

	20 1/8"-1 1/4"	21 1/8"-2"	22 1/8"-2 1/2"	23 1/8"-3"	25 1/8"-4"	27 1/8"-6"
Ref. No. Description	Catalog No.	Catalog No.	Catalog No.	Catalog No.	Catalog No.	Catalog No.
1 Feed Screw	40275	40355	40390	40440	40535	40645
2 Yoke & Hook Assembly	40245	40310	40370	40425	40515	40620
3 Hook Assembly	40255	40320	40380	40435	40525	40630
4 Hinge Pin	40300	40340	40415	40470	40555	40670
5 Jaw Clamp Screw with Washer (2)	40265	40345	40385	40385	40530	40635
6 Jaw Clamp Assembly	40280	40360	40395	40445	40540	40650
7 Upper Jaw	40285	40335	40400	40455	40545	40590
8 Hinge Bolt, Washer and Nut	40295	40325	40410	40465	40560	40665
9 Yoke Assembly	40250	40315	40375	40430	40520	40625
10 Lower Jaw (1 Set)	40290	32100	40405	40460	40550	40660
11 Lower Jaw Screw (2)	40260	32205	32205	32205	32205	32270
12 Base Assembly	40240	40305	40365	40420	40510	40615
13 Spool	—	40330	40330	40450	40450	40655