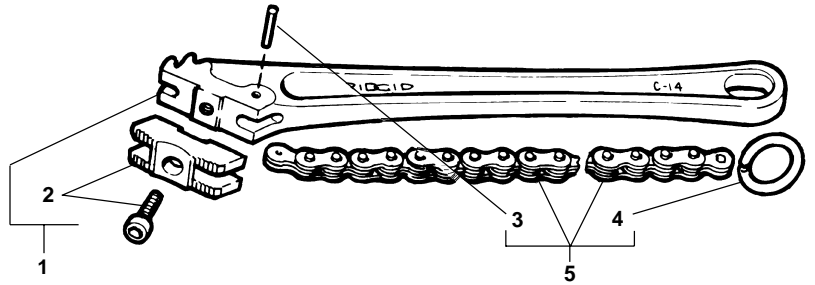
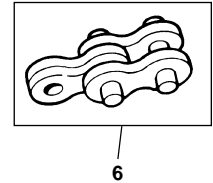


**Heavy-Duty Chain Wrench**

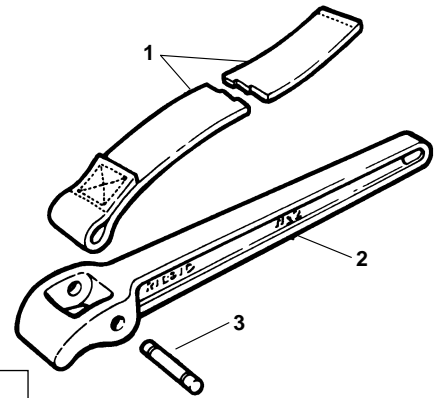


NOTE: Order parts by Catalog Number only.  
DO NOT order by Reference Number.

	C14 Max. 2"	C18 Max. 2 1/2"	C24 Max. 3"	C36 Max. 4 1/2"
Ref. No.	Catalog No.	Catalog No.	Catalog No.	Catalog No.
1	32540	32565	32585	32595
2	32550	32575	32590	32600
3	32560	32580	32580	32610
4	32555	32555	32555	32555
5	32545	32570	32570	32605
6	68620	68625	68625	68630

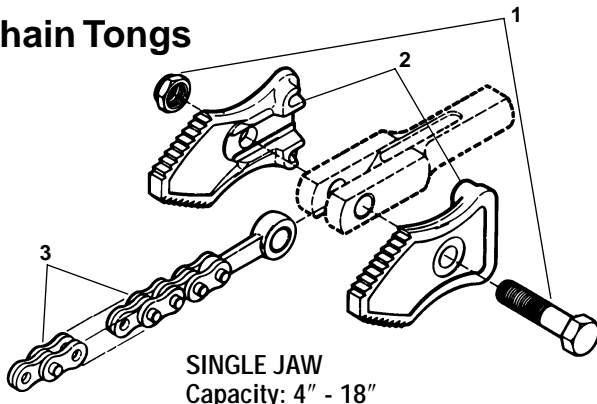


**Strap Wrench**

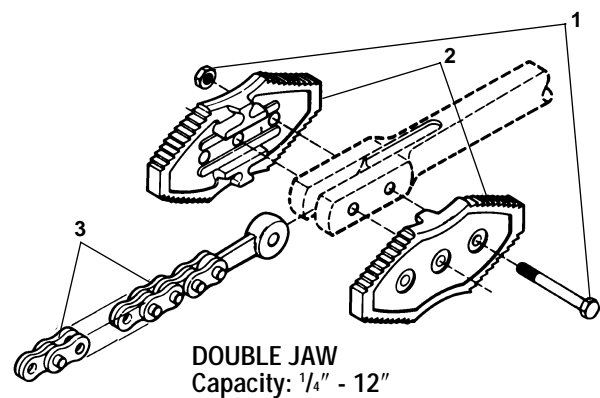


	1 1/8"-2"	2 1/8"-2"	2P 1/8"-2"	5 1"-5"	5P 1"-5"
Ref. No.	Catalog No.	Catalog No.	Catalog No.	Catalog No.	Catalog No.
1	31990	32015	32035	—	—
	—	32020	—	—	—
	—	32025	—	32050	32065
	—	—	—	32055	—
2	32005	32040	32040	32075	32075
3	32010	32045	32045	32080	32080

**Chain Tong**



Ref. No.	Description	3215
1	Nut & Bolt	93020
2	Jaws	93015
3	Chain	93010



Ref. No.	Description	3229	3231	3233	3235	3237
1	Nut & Bolt	93035	93050	93050	93080	93095
2	Jaws	93030	93045	93060	93075	93090
3	Chain	93025	93040	93055	93070	93085