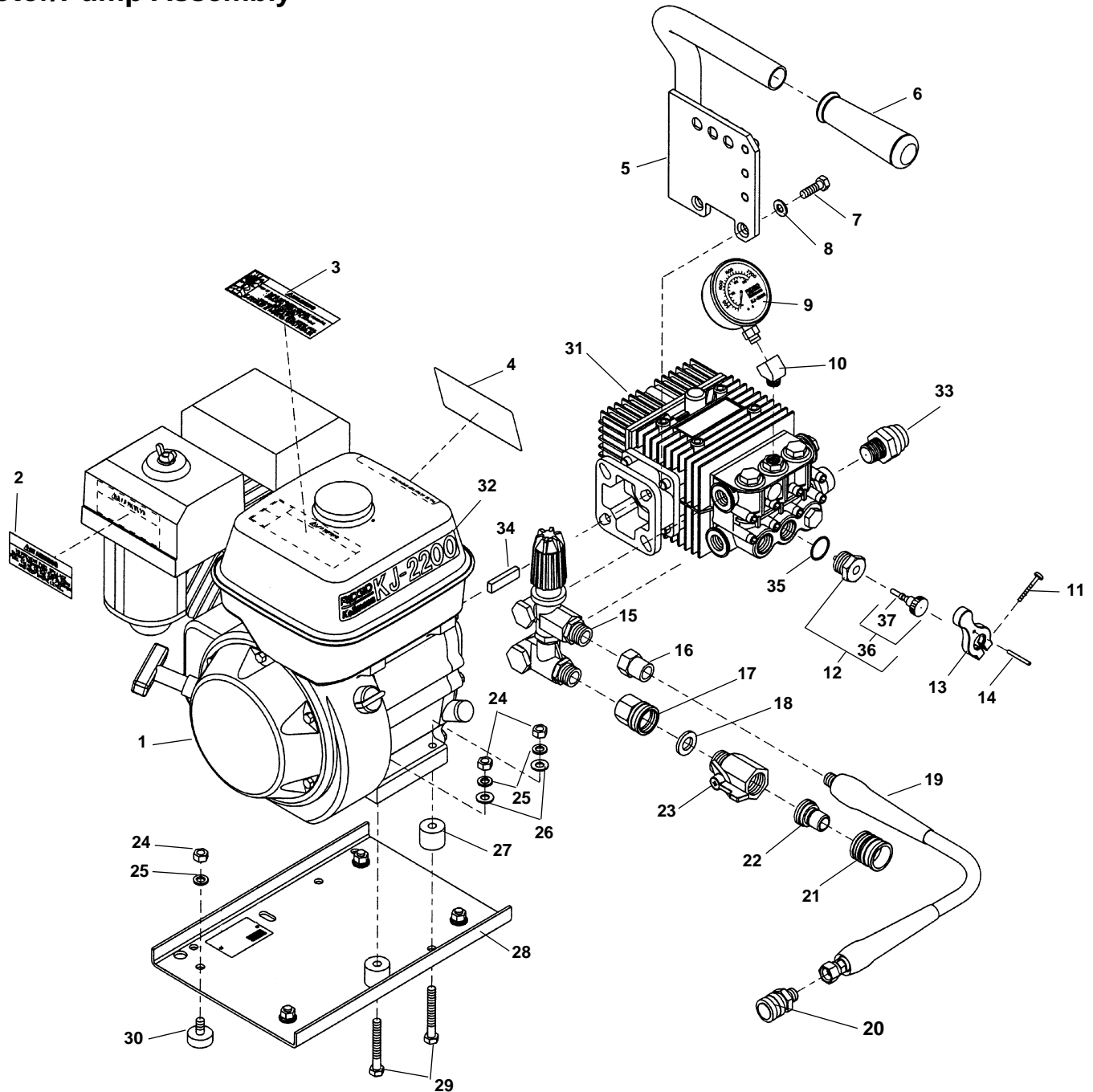


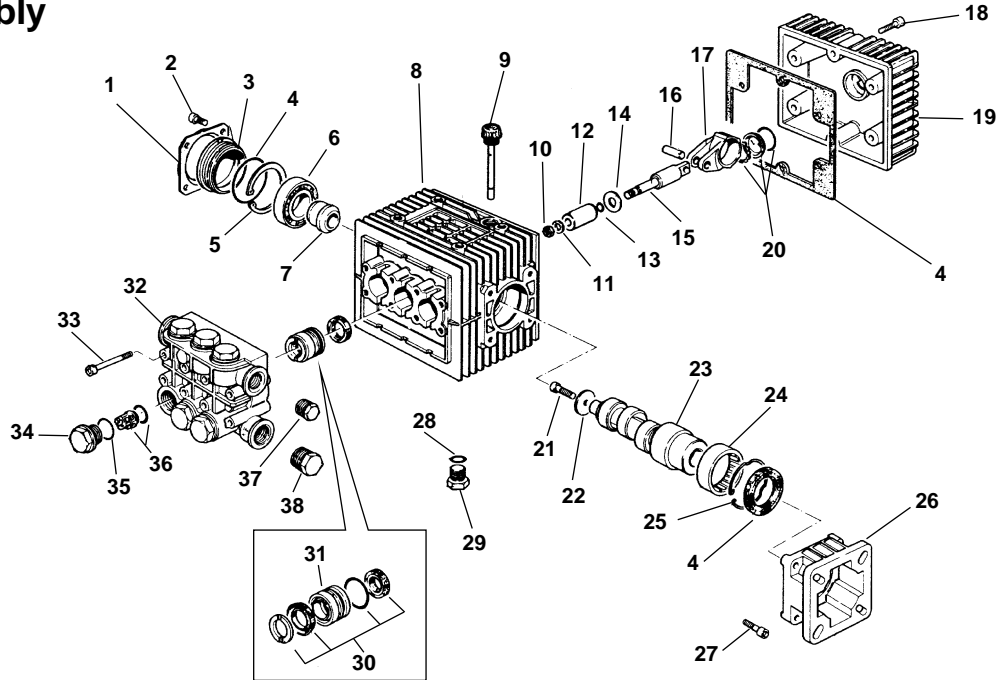
Motor/Pump Assembly



**NOTE: Order parts by Catalog Number Only.
DO NOT order by Reference Number.**

Ref. No.	Catalog No.	Description	Ref. No.	Catalog No.	Description	Ref. No.	Catalog No.	Description
1	49532	Gasoline Engine, 5.5 Hp	14	41500	Spring Pin	27	43852	Spacer (4)
2	60102	Decal, Fuel Warning	15	65202	Unloader Valve Complete	28	48182	Base Plate
3	49562	Decal, Warning	16	65197	Reducer Coupling	29	49597	Hex Screw $\frac{5}{16}$ " - 18 x $2\frac{1}{4}$ " (4)
4	65182	Decal, Pulse Actuator	17	65207	Hose Adapter	30	48187	Rubber Foot (4)
5	65177	Handle	18	48287	Filter Washer	31	65217	Pump Complete
6	60827	Hand Grip	19	65212	Output Hose	32	65187	Decal, Model No. KJ-2200
7	60380	Hex Screw $\frac{3}{8}$ " - 16 x $1\frac{1}{4}$ " (4)	20	48117	Quick Connect (Male 48487)	33	65412	Thermal Protector
8	63977	Lock Washer $\frac{3}{8}$ " (4)	21	48197	Hose Coupler	34	66297	Key
9	65137	Pressure Gauge, KJ-2200	22	48202	Hose Coupler Nipple	35	65392	O-Ring
10	48107	Street EL, 45°	23	49582	Water Shut-off	36	85872	Adjusting Screw w/Seals
11	46375	Soc. Head Screw #6 - 32 x $\frac{5}{8}$ "	24	60230	Hex Nut $\frac{7}{16}$ " - 18 (8)	37	85882	Seals for Adjusting Screw
12	85862	Pulse Assembly, KJ-2200	25	60080	Lock Washer $\frac{3}{8}$ " (8)		65117	Wash Wand Nozzle (Not Shown)
13	63907	Actuator Handle	26	60060	Flat Washer $\frac{3}{8}$ " (4)		70902	Chemical Injector (Not Shown)

Pump Assembly

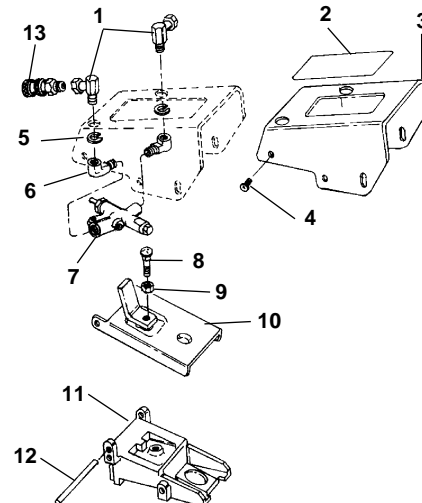


**NOTE: Order parts by Catalog Number Only.
DO NOT order by Reference Number.**

Ref. No.	Catalog No.	Description	Ref. No.	Catalog No.	Description	Ref. No.	Catalog No.	Description
—	65217	Pump Assembly	13	65282	O-Ring (3)	26	65347	Mounting Flange
1	65222	Bearing Retainer	14	65287	Slinger (3)	27	65352	Bolt (4)
2	65227	Bolt (4)	15	65292	Lower Plunger (3)	28	65357	O-Ring
3	65232	Bearing Cover	16	65297	Wrist Pin (3)	29	65362	Drain Plug
4	65237	Crankcase Seal Kit (4 pcs)	17	65302	Connecting Rod (3)	30	65367	Plunger Seal Kit (3 sets)
5	65242	Retaining Ring	18	65307	Bolt, M5 x 20 (6)	31	65372	Cup Retainer (3)
6	65247	Ball Bearing	19	65312	Crankcase Cover	32	65377	Pump Head
7	65252	Shaft Retainer	20	65317	Sight Glass w/O-Ring & Retainer	33	65382	Bolts, M6 x 60 (8)
8	65257	Crankcase	21	65322	Bolt	34	65387	Valve Cap (6)
9	65262	Dipstick	22	65327	Washer	35	65392	O-Ring (6)
10	65267	Nut (3)	23	65332	Crankshaft	36	65397	Valve Kit (6 Valves, 6 O-Rings)
11	65272	Plunger Seal (3)	24	65337	Roller Bearing	37	65402	Port Plug, Small
12	65277	Plunger (3)	25	65342	Retaining Ring	38	65407	Port Plug, Large

FV-1 Foot Valve

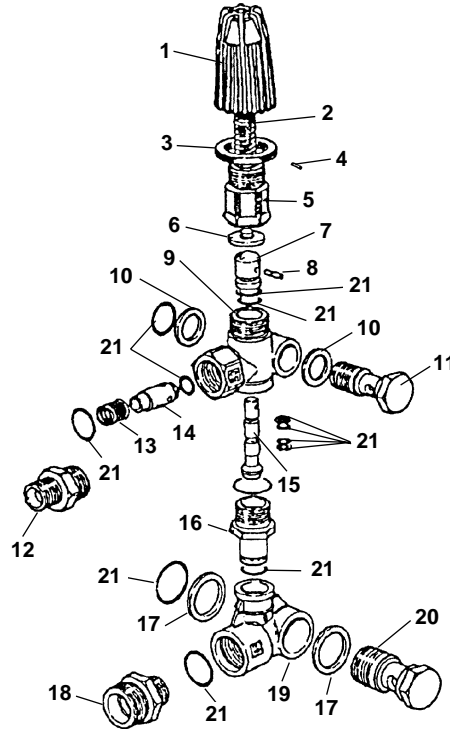
Ref. No.	Catalog No.	Description
—	48157	Foot Valve Complete, FV-1
1	49787	Elbow w/Swivel, 1/4" NPT (2)
2	49777	Decal, Model No.
3	49772	Cover
4	36787	Screw, Self Tapping, #10 (4)
5	49792	Lock Washer 9/16" (2)
6	49797	Street EL, 1/4" NPT(2)
7	49782	Valve Assembly
8	49802	Carriage Bolt, 1/4" NPT
9	47297	Lock Nut, 1/2" - 20
10	49767	Foot Pedal
11	36737	Base
12	36747	Pivot Pin
13	48117	Quick Connect – Female



Unloader Valve - Early Style (Red Knob)

**NOTE: Order parts by Catalog Number Only.
DO NOT order by Reference Number.**

Ref. No.	Catalog No.	Description
1	64277	Control Knob
2	64282	Spring
3	64287	Stop Ring
4	64292	Set Screw
5	64297	Spring Guide
6	64302	Spring Button
7	64307	Poppet
8	64312	Pin
9	64317	Valve Body
10	64322	Gasket (2)
11	64327	Outlet Port Adapter
12	64332	Poppet Retainer
13	64337	Spring
14	64342	Poppet
15	64347	Plunger
16	64352	By-Pass Spring
17	64357	Gasket
18	64362	Inlet Adapter
19	64367	By-Pass Adapter
20	64372	Port Adapter
21	64377	Seal Kit



Unloader Valve - (Black Knob)

Ref. No.	Catalog No.	Description
—	65202	Unloader Valve Complete
1	85902	Plate
2	64302	Spring Button
3	64317	Body
4	85897	Spring
5	64307	Poppet
6	64312	Pin
7	64332	Outlet Poppet Retainer
8	64337	Spring
9	64342	Poppet
10	64352	By-Pass Seat
11	64347	Plunger
12	64362	Inlet Adapter
13	64367	Manifold
14	64372	Inlet Port Adapter
15	64327	Outlet Port Adapter
16	85892	Plug Cap
17	32270	Soc. Hd. Cap Screw 5/16" - 18 - 3/4"
18	61115	Hex Nut 5/16" x 18
19	85887	Control Knob (Black)
20	85907	Cap
21	85917	Spring Guide
22	85912	Pin
23	64322	Seal Washer
24	64357	Seal Washer
25	85922	Seal Washer
26	85927	Seal Washer
27	85932	Seal Kit

